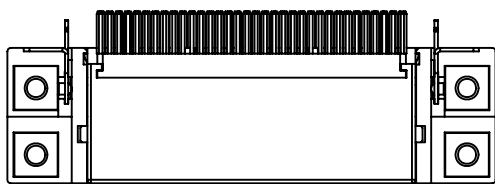
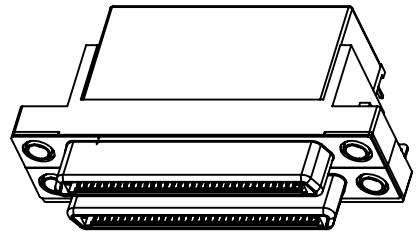
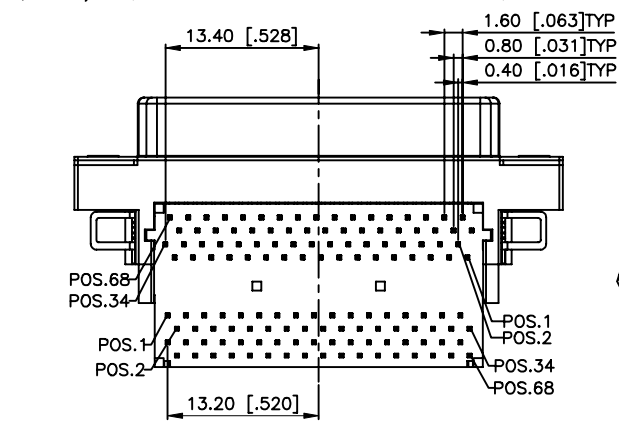
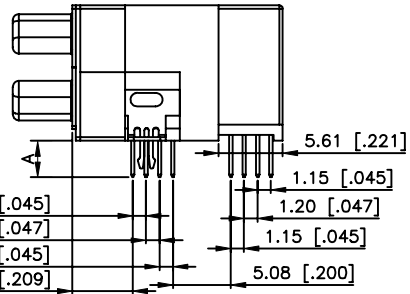
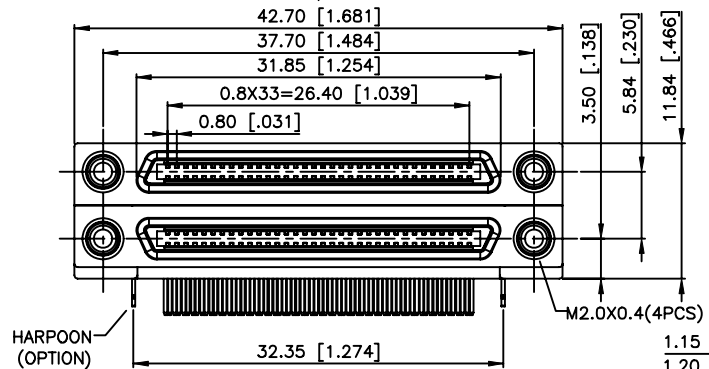
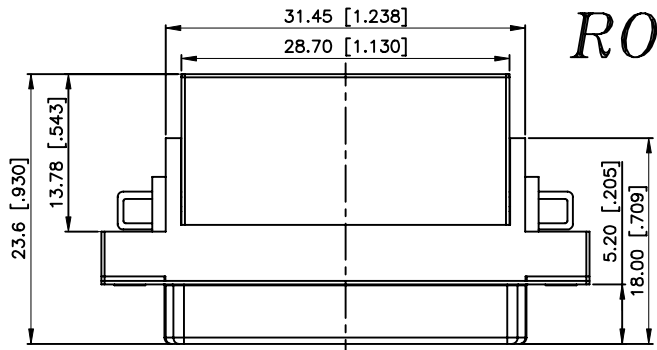


ROHS-COMPLIANT

LTR	REV.	DESCRIPTION	DATE



ORDER INFORMATION

34E 068 S - 3 2 8 W - BB
 (1) (2) (3) (4) (5) (6) (7) (8)

- SERIES NUMBER:
34E: CHAMP 0.80MM STACKED R/A P.C.B. TYPE
- NUMBER OF CONTACTS:
068: 68 POSITIONS
- CONTACT CODES:
S: SOCKET
- COLOR CODES:
3: BLACK
- CONTACT FINISH:
0: SELECTED GOLD FLASH OVER 30u" NICKEL
2: SELECTED GOLD 15u" OVER 50u" NICKEL
3: SELECTED GOLD 30u" OVER 50u" NICKEL
W3: MATTE TIN 80~150u" AND SELECTED GOLD 30u" OVER 50u" NICKEL
- SHELL TYPE & FINISH:
8: METAL SHELL TYPE AND NICKEL PLATED
- ACCESSORY TYPE:
H: WITH SEPARATED M2X0.4 SCREWS AND HARPOONS
W: WITHOUT SCREWS AND HARPOONS
- SUFFIX NO.:
BB: WITHOUT LOGO, SOLDER TAIL A=2.28[.090]
BD: WITHOUT LOGO, SOLDER TAIL A=3.20[.126]

MATERIALS:

- HOUSING: THERMOPLASTIC, UL 94V-0 RATED.
- COVER: THERMOPLASTIC, UL 94V-0 RATED.
- CONTACTS: COPPER ALLOY, SELECTIVE GOLD PLATED
- SHELL: SPCC, NICKEL PLATED.
- HARPOON: COPPER ALLOY, TIN OVER NICKEL

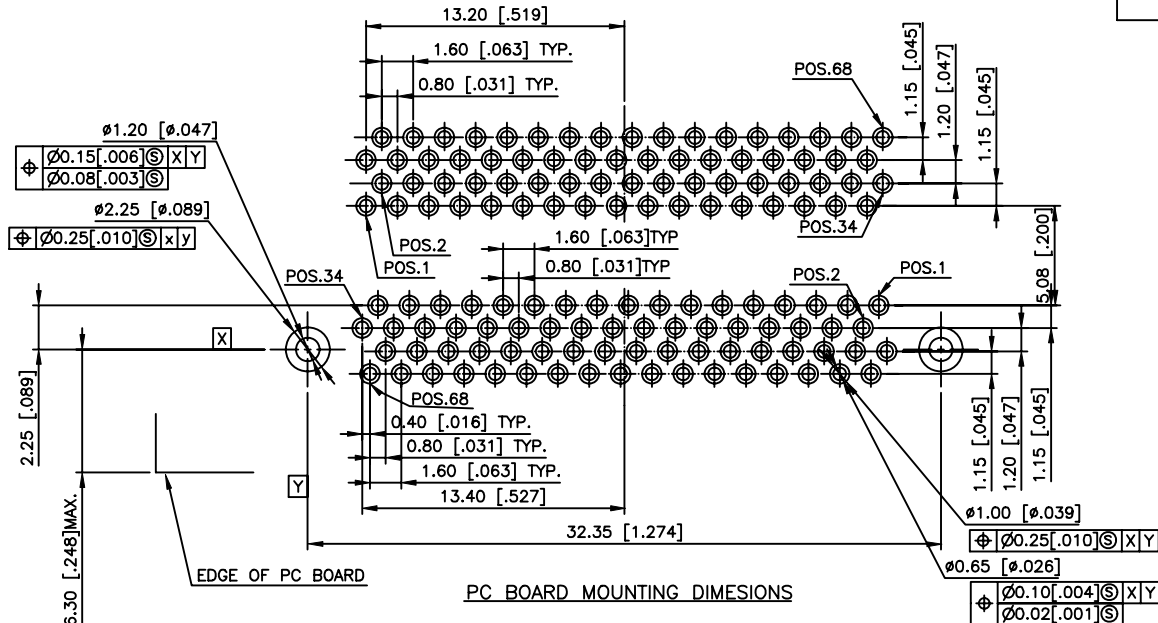
SPECIFICATION:

- RATED CURRENT: 0.30A/CONTACT
- INSULATION RESISTANCE: 500MOHM MIN.
- DIELECTRIC WITHSTANDING VOLTAGE:
250V AC FOR 1 MINUTE.
- OPERATING TEMPERATURE: -25°C TO +85°C

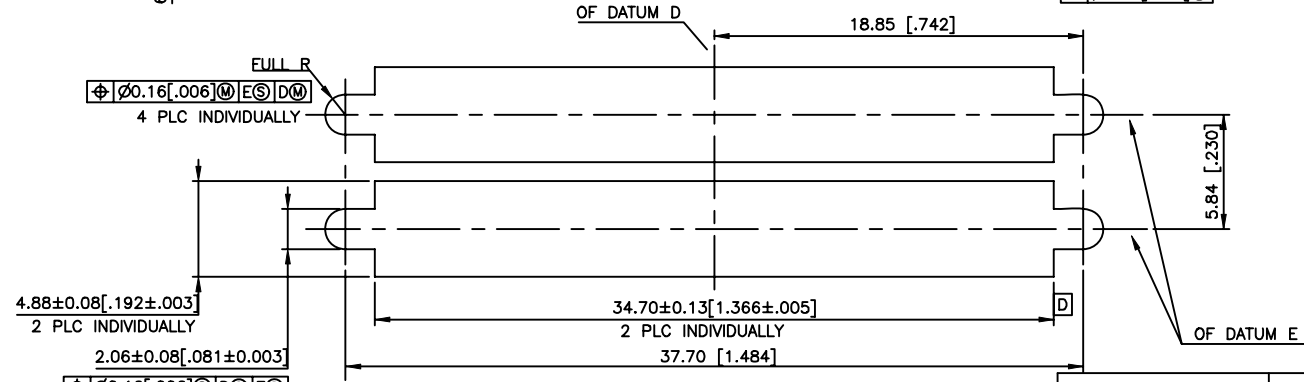
Tolerance Inch M/M			Shenzhen PCIDV Electronics CO.,LTD				
.X	.015	.30	Title STACKED VHDCI 68P*2				
.XX	.010	.10					
.XXX	.005	.05					
Make ricky 10/16			BF P/N:				
Check			App'd		Customer P/N:		
Audit			Scale	NONE	Units	m/m	Third Angle Projection
Dwg No. JH-0080			REV:A		Sheet 1/2		

ROHS-COMPLIANT

LTR	REV.	DESCRIPTION	DATE



PC BOARD MOUNTING DIMENSIONS



PANEL CUT-OUT DIMENSIONS

Tolerance Inch M/M			Shenzhen PCIDV Electronics CO.,LTD	
.X	.015	.30	Title STACKED VHDCI 68P*2	
.XX	.010	.10	BF P/N:	
.XXX	.005	.05	Customer P/N:	
Make ricky 02/23			App'd	
Check			Customer:	
Audit			Scale NONE	Units m/m
			Third Angle Projection	
			Dwg No. JH-0080	REV: A Sheet 2/2